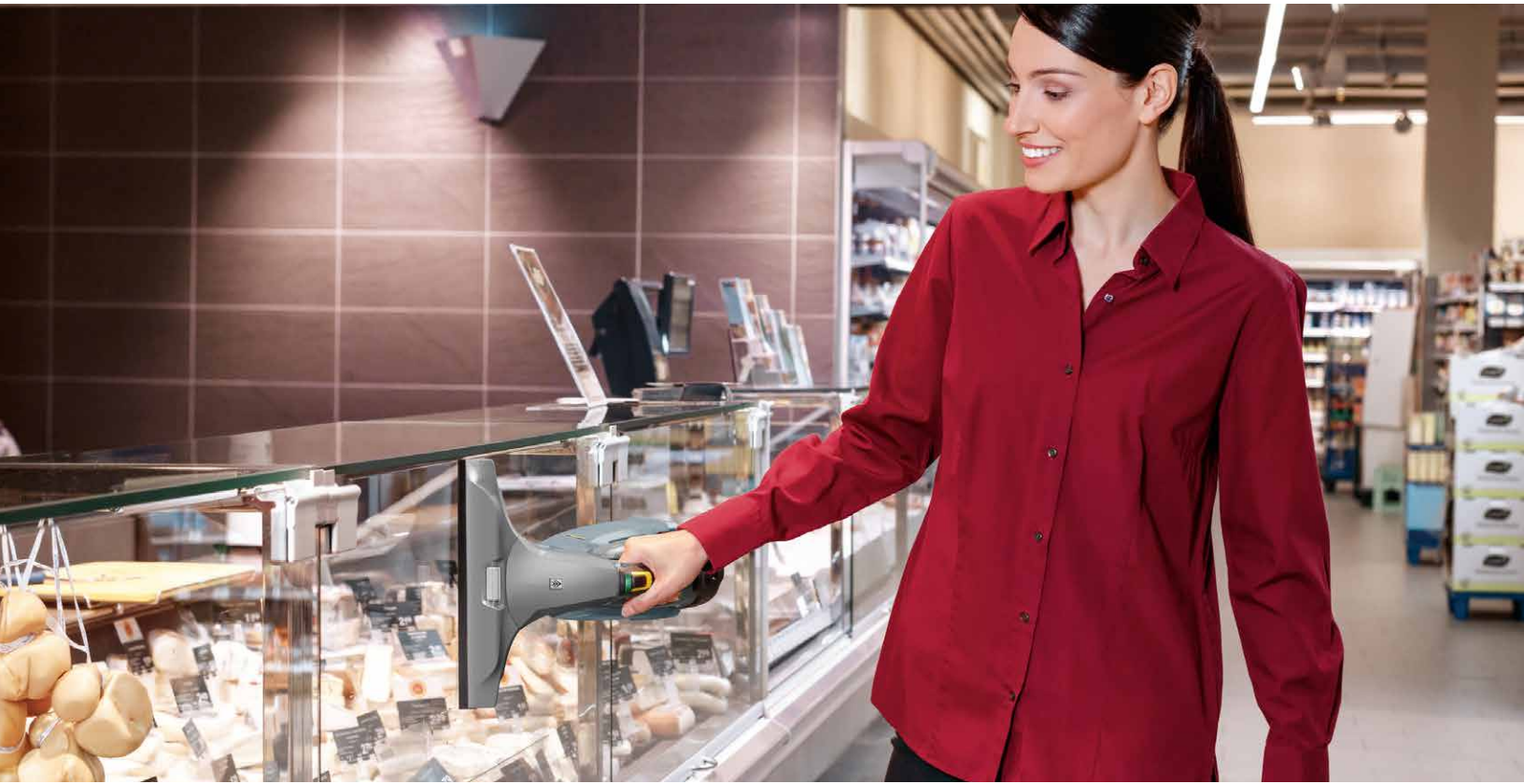


KÄRCHER

makes a difference

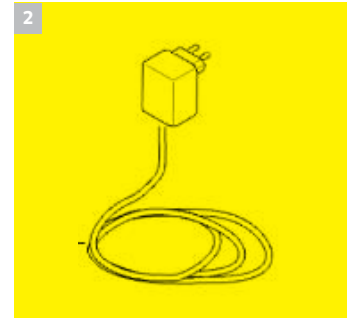
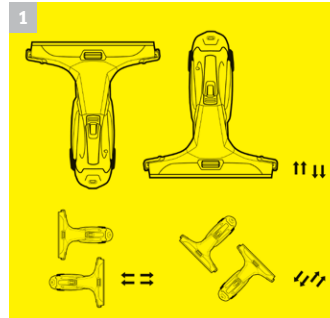


THE SOLUTION FOR SMOOTH SURFACES

The WVP 10 window and surface vacuum cleaner.

Easier, Faster, More Convenient.

It doesn't matter whether you use our battery-powered, handheld WVP 10 window and surface vacuum cleaner as a window vacuum cleaner or to clean tiles, mirrors, display cabinets, counters or any other type of smooth surface. The decisive factor is that you achieve streak-free cleaning results with the lightweight and handheld machines in every position, even overhead if necessary - what's more you can get right up to the edges thanks to the manually adjustable holder.



1 Flexible cleaning

- Streak-free cleaning in every position: horizontal, vertical, diagonal, overhead and any other direction you need.
- Clean right up to edges with its manually adjustable holder.

2 Increased productivity

- Fast-moving motor ensures powerful suction of dirty water.
- Battery provides up to 35 minutes of run time.

3 Convenience

- Cordless for easy operation and storage.
- 6.7 ounce dirty water tank that's easy to empty and can be cleaned in the dishwasher.
- Light-weight at 1.5 lbs.

Technical data and equipment

WVP 10

TECHNICAL SPECIFICATIONS

Dirty water tank	oz	6.7
Battery charging time	min	180
Voltage	V	110-120
Frequency of battery charger	hz	50-60
Width of suction nozzle	in	11
Weight	lbs	1.5
Dimensions (L x W x H)	in	4.9 x 11 x 12.8

EQUIPMENT

Order No.	Item Description
1.633-551.0	WVP 10, includes battery, cleaning solution, battery charger, spray bottle and micro fiber cloth

ACCESSORIES

Order No.	Description
■ 2.633-123.0	WVP replacement battery
■ 2.633-005.0	WVP replacement squeegee blades - 280mm (2)
■ 9.013-530.3	WVP 280mm complete nozzle
■ 6.654-353.0	WVP Wall charger
■ 4.633-153.0	WVP spray bottle set with indoor pad
■ 2.633-130.0	WVP microfiber pad for indoor use
□ 2.633-131.0	WVP microfiber pad for outdoor use
□ 2.633-144.0	WVP extension pole
□ 2.633-104.0	WVP Replacement squeegee blades 170mm
□ 9.013-535.3	WVP 170mm complete nozzle

■ Included □ Optional

Please contact us for more information:

North America

4555 Airport Way
Denver, CO 80239
U.S.A.

Phone 800-456-6649
Fax 303-738-2818

www.karcher.com/us

Canada

275 Pendant Drive
Mississauga, ON L5T 2W9
Canada

Tel. 905-364-5006
Fax 905-672-3155

www.karcher.ca