

ZEF

Handheld, Direct Drive, Electric-Powered,
Cold Water Pressure Washer

- 1.8 GPM, 1400 PSI
- Direct-Drive Pump with 7-Year Warranty
- Up to 180°F Inlet Water
- Auto Start-Stop Feature
- UL-1776 Safety Certified
- Optional Wall Shelf

■ Durable **Pressure-Trapping Unloader** diverts water flow when trigger gun is not in use.

■ Pump protected by a **Thermal Pump Protector** to prevent the buildup of excessive heat.

■ Remote **Wall Switch** with 10-ft. electrical cord supplied with each unit for convenience in turning on the unit at a wash station separated from the pressure washer.

■ 36-ft. **Electric Cord** with NEC approved ground fault circuit interrupter for operator protection.

■ **Auto Start-Stop** feature allows the operator to start and stop the pressure washer simply by pulling or releasing the trigger; this also offers additional protection for the high-pressure pump.

■ Spring-loaded **Trigger Gun** with two-piece, twist-lock, easy-grip **Spray Wand** for easy point-and-shoot effectiveness.

■ Reliable **Industrial-Strength Motor** with 1725 RPM, reset button, capacitor start and full-service factor for longer life.

■ Conveniently mounted 15° high-pressure **Quick-Connect Nozzle** for effective cleaning spray pattern.



ZEF2-14024D



■ 25 ft. of steel-wire braid **High Pressure Hose** rated for up to 3000 PSI with 24-inch **Hose Guard** for burst protection and **Swivel Swedge Fitting** for tangle-free handling of hose and trigger gun.

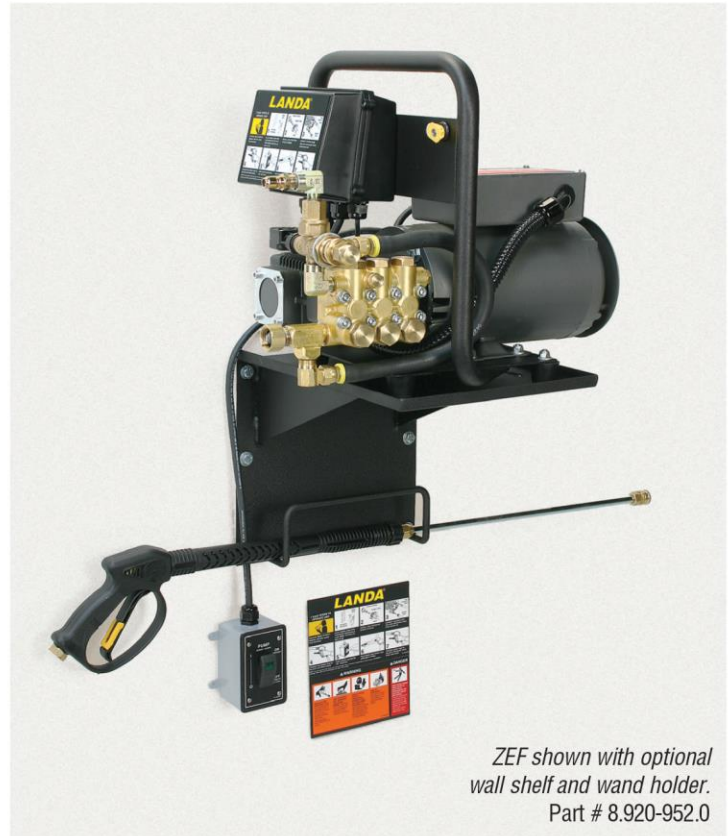


WHY CHOOSE THE ZEF

The ZEF cold water pressure washer has a flexible design and industrial features that make it ideal for the food processing and restaurant industries. Features include:

QUALITY: In the rugged frame, a heavy-duty direct drive pump with 7-year warranty and industrial-strength motor.

CONVENIENCE: With the total package designed for cleaning in a tight, indoor facility, including a wall shelf, a remote on-off switch, an extra set of illustrated warning and operational stickers posted at eye level. The ZEF is ideal for cleaning the work area and equipment.



*ZEF shown with optional wall shelf and wand holder.
Part # 8.920-952.0*

Model #	Part #	GPM	PSI	Pump RPM	Motor HP	Volts	Phase	Amps	Ship Wt (lbs)
ZEF2-14024D	1.107-090.0	1.8	1400	1725	2.0	120	1	20	125

Distributed by:



Kepner Equipment Inc.
2365 Firehall Rd.
Canandaigua, NY 14424
Phone: (585) 396-1960
Toll Free: (888) 895-2632
Fax: (585) 394-2999
www.KepnerEquipment.com

Field Installed Options & Accessories

- 8.920-952.0 Wall Mount & Wand Holder
- 8.904-464.0 Quick-Coupled Soap Injector, 6' Poly Tubing